

Mirrors

Mirror Handles



High quality mirrors - stainless - sterilizable to 240° C

Plane Mirrors

Order-No.



Nr. 4	22,0 mm
12per Set	Ref. 08-001
Nr. 5	24,0 mm
12per Set	Ref. 08-002

Plane,Rhodium [Front Mirrors]



Nr. 4	22,0 mm
12per Set	Ref. 08-005
Nr. 5	24,0 mm
12per Set	Ref. 08-006

Magnifying Mirrors



Nr. 4	22,0 mm
12per Set	Ref. 08-003
Nr. 5	24,0 mm
12per Set	Ref. 08-004



Packing for 12 pcs mirrors

Rhodium, single sided

Ref. 08-010 Ø 22,0 mm



Rhodium, single sided

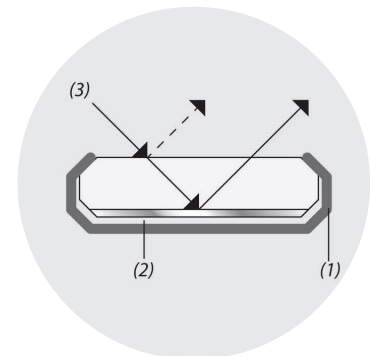
Ref. 08-011 18,0 x 33,0 mm



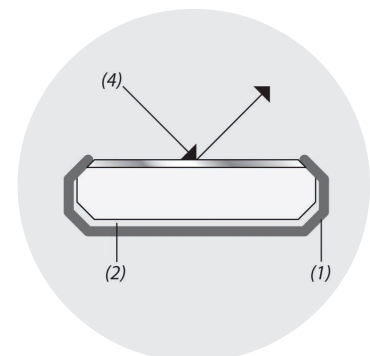
Rhodium, plane, double sided

Ref. 08-012 Ø 24,0 mm

double side mirror



Aluminum Back surface



Rhodium Front surface

In mirrors with rhodium-coated front surface, the reflective surface is on the upper part of the mirror for precise and sharp reflected images. It is recommended to avoid contact between the mirror and abrasive surface. when cleaning. It is also recommended to avoid immersing the mirror in an ultrasonic cleaning tank.

Order-No. **Fingerform - hollow**Ref. 08-050
extra light

13,5 cm

Chrome/ hollow

Ref. 08-051



12,5 cm

HollowRef. 08-052
extra light

14,0 cm

Octagon- knurled solid

Ref. 08-053



12,0 cm

Knurled solid round

Ref. 08-054



12,5 cm

Round - hollowRef. 08-055
extra light

13,5 cm